



(314) 832-4500
Telex 44-2310

Essex Precision Controls, Inc.
8213 GRAVOIS AVENUE • ST. LOUIS, MO. 63123

K-4567
OVERHAUL AND PARTS LIST
STATIC PRESSURE SELECTOR VALVE

34-10-03
Page 1 of 1
January 20, 1977



(314) 832-4500
Telex 44-2310

Essex Precision Controls, Inc.

8213 GRAVOIS AVENUE • ST. LOUIS, MO. 63123

K-4567

OVERHAUL AND PARTS LIST STATIC PRESSURE SELECTOR VALVE

TABLE OF CONTENTS

<u>SUBJECT</u>	<u>PAGE</u>
Description and Operation	1
Diassembly	1
Cleaning	2
Inspection	2
Repair	2
Assembly	2
Fits and Clearances	3
Testing	3
Trouble-Shooting	4
Storage Instructions	4
Special Tools, Fixtures & Equipment	4
Illustrated Parts List	5

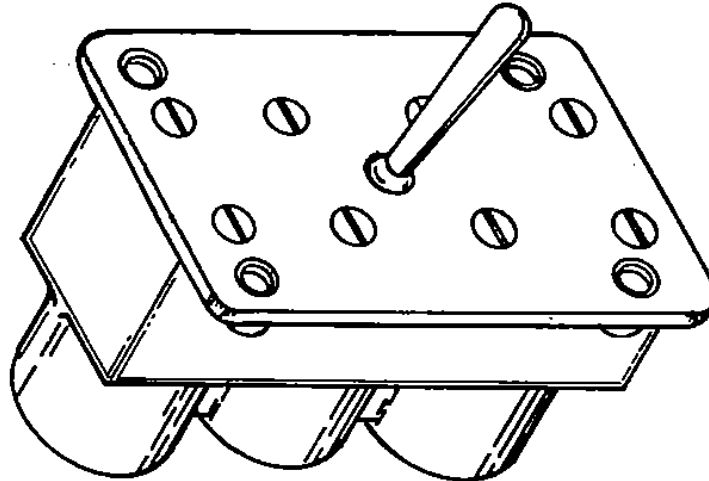
34-10-03
Table of Contents
Page 1
Jan. 20/77



Essex Precision Controls, Inc.
8213 GRAVOIS AVENUE • ST. LOUIS, MO. 63123

K-4567

OVERHAUL AND PARTS LIST
STATIC PRESSURE SELECTOR VALVE



Static Pressure Selector Valve

Figure 1.

1. Description and Operation. (See Figure 1.)
 - A. The static pressure selector valve is a rocker type valve actuated by an over centering device. The valve is operated by moving the handle, the port toward which the handle is moved being open.
2. Disassembly. (See Figure 2.)
 - A. Remove screws (13).
 - B. Remove cover sub-assembly (12), remove dowel pins (11), remove inner plate (8), remove and discard gaskets (7) and O'ring (10), remove handle (9).
 - C. Remove rocker (6) and spring (5).



Essex Precision Controls, Inc.
8213 GRAVOIS AVENUE • ST. LOUIS, MO. 63123

K-4567

OVERHAUL AND PARTS LIST
STATIC PRESSURE SELECTOR VALVE

- D. Remove rocker arm (4), plug (2), discard plug (2), remove valve pin (3).
3. Cleaning.
- A. Clean parts in Trichloroethylene or equivalent.
4. Inspection. (See Figure 2)
- A. Visually inspect body (1) for thread damage and damage to valve seat.
- B. Inspect spring (5) for set condition. A force of 6 pounds 4 ounces \pm 15.0 ounces shall compress the spring to a height of 0.344 inch.
- C. Inspect valve pin (3) for straightness.
- D. Inspect rocker (4) for wear and any deformation.
- E. Inspect cover sub-assembly (12), inner plate (8), handle (9), rocker arm (4), for cracks, scores, nicks, abrasions or burrs.
5. Repair (See Figure 2)
- A. Repair minor thread damage by chasing.
- B. Replace spring if it does not meet inspection limits specified in paragraph 4.b.
- C. Remove all minor nicks, burrs, scratches and high metal with blending and polishing.
- D. Replace all parts which cannot be repaired per sub-paragraph C.
6. Assembly (See Figure 2)
- A. Place body (1) in suitable holding fixture with open side up.
- B. Place plugs (2) into recesses on ends of rocker arm (4).



Essex Precision Controls, Inc.
8213 GRAVOIS AVENUE • ST. LOUIS, MO. 63123

K-4567

OVERHAUL AND PARTS LIST
STATIC PRESSURE SELECTOR VALVE

- C. Insert valve pin (3) into bearing holes of rocker arm (4). Place the assembled parts into body (1) with valve pin (3) resting in vee grooves at center bottom of body.
 - D. Place spring (5) into bore of rocker (6) and insert into opening on top of rocker arm (4). Valve pin (3) should fit into slot in rocker (6).
 - E. Place O'ring (10) into gland in cover sub-assembly (12). Insert handle (9) thru O'ring (10) and cover sub-assembly (12).
 - F. Coat gasket (7) with Parker Seal Lube or equivalent, and place on cover sub-assembly (12). Place inner plate (8) into position and assemble coated gasket (7) to exposed side of inner plate (8).
 - G. Drive dowel pins (11) thru gaskets (7) inner plate (8) and cover sub-assembly (12). Pins (11) should extend thru bottom of cover sub-assembly (12).
 - H. Assemble cover assembly to body and parts assembled in steps A,B,C,D. Vee end of handle (9) must fit into vee groove of rocker (6). Apply Parker Seal Lube to screws (13) and install in body (1).
7. Fits and Clearances. Not applicable.
8. Testing.
- A. Leakage past gasket.
 - (1) Connect vacuum source to center port of valve. Plug two outer ports. Apply 10 inches of mercury vacuum. Cut off vacuum source. Vacuum shall not change more than 0.10 inches maximum per minute due to leakage around the gasket.
 - (2) Repeat gasket leakage test by applying 10 psig air pressure to valve submerged in water. Hold for one minute with zero leakage.
 - B. Leakage Past Seats.
 - (1) Connect center port to source of vacuum. Move handle to one side and plug that port.



(314) 832-4500
Telex 44-2310

Essex Precision Controls, Inc.
8213 GRAVOIS AVENUE • ST. LOUIS, MO. 63123

K-4567
OVERHAUL AND PARTS LIST
STATIC PRESSURE SELECTOR VALVE

Apply vacuum of 10 inches of mercury. Cut off vacuum source. Vacuum shall not change more than 0.60 inches maximum per minute due to leakage past valve seat.

(2) Repeat test with handle moved to opposite side.

9. Trouble-Shooting.

A. No special trouble-shooting procedures are required. If valve does not pass tests, it must be disassembled, re-inspected for faulty parts or assembly techniques, re-assembled and re-tested.

10. Storage Instructions.

A. Plug ports with suitable plugs, wrap in heavy packing paper and package in cardboard carton.

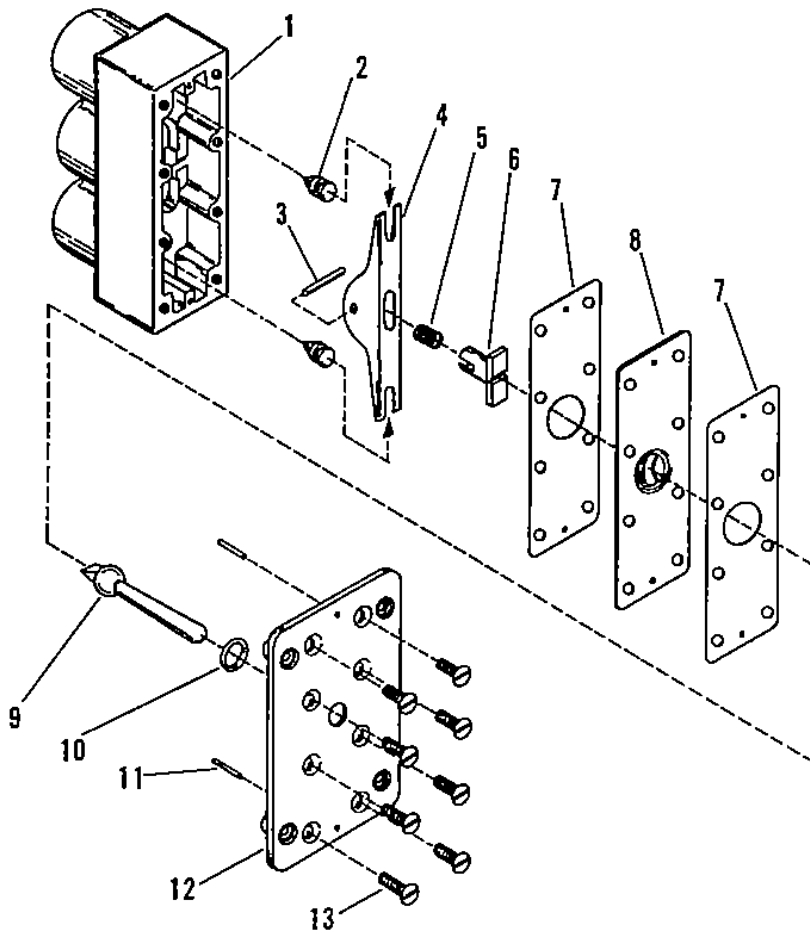
11. Special Tools, Fixtures and Equipment. None required.



(314) 632-4900
Telex 44-2310

Essex Precision Controls, Inc.
8213 GRAVOIS AVENUE • ST. LOUIS, MO. 63123
K-4567
OVERHAUL AND PARTS LIST
STATIC PRESSURE SELECTOR VALVE

12. Illustrated Parts List.



Exploded View-Static Pressure Selector Valve

Figure 2

Jan. 20/77

34-10-03
Page 5



13141 832-4500
Telex 44-2310

Essex Precision Controls, Inc.

8213 GRAVOIS AVENUE • ST. LOUIS, MO. 63123

K-4567

OVERHAUL AND PARTS LIST STATIC PRESSURE SELECTOR VALVE

FIG.	ITEM	PART NUMBER	NOMENCLATURE							EFFECT FROM TO	UNITS PER ASSY
			1	2	3	4	5	6	7		
2		K4567	Static Pressure Selector Valve								RF
	1	A4513	Body								1
	2	A122	Plug								2
	3	A127	Valve Pin								1
	4	A126	Rocker Arm								1
	5	A115	Spring								1
	6	A118	Rocker								1
	7	A110	Gasket								2
	8	A108	Inner Plate								1
	9	A296	Handle								1
	10	A111	O'Ring								1
	11	A109	Dowel Pin								2
	12	A105	Cover Sub-Assembly								1
	13	A119	Machine Screw								8